

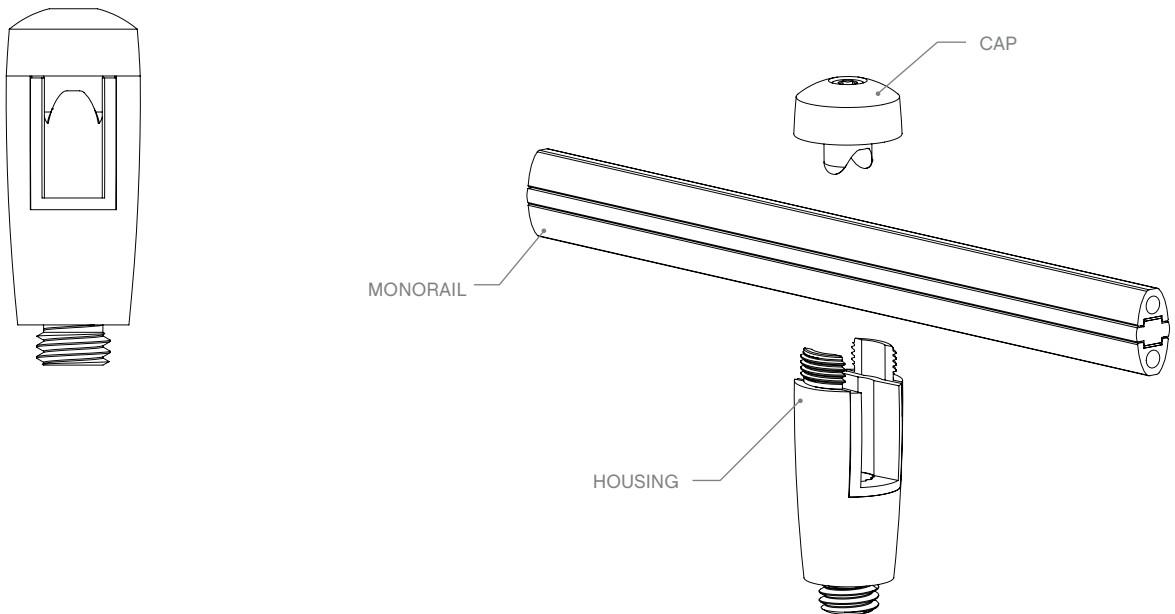


IMPORTANT SAFETY INSTRUCTIONS

- This product suitable for indoor dry locations only.
- This product must be used with the Journée Monorail System only
- Always disconnect electrical power before adding or changing the configuration of the track.
- **We recommend you hire a qualified, licensed electrician to install the system.**

SAVE THESE INSTRUCTIONS

MONORAIL TO MODULAR STEM CONNECTOR

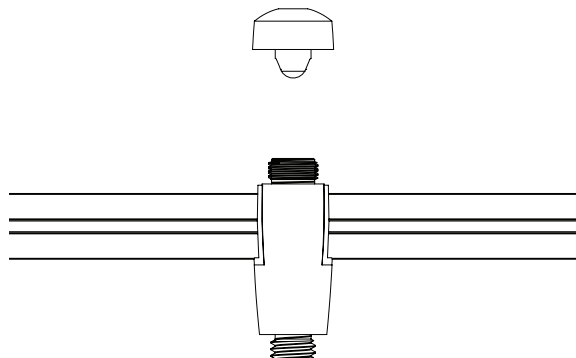




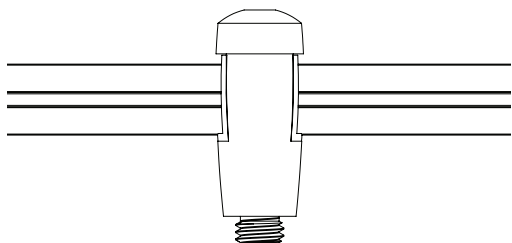
1) *Unthread cap from housing.*



2) *Place housing onto the Monorail.*



3) *Thread cap back onto the housing.*



*Make sure to perform this procedure before installing *Modular Stem* into the *Monorail to Modular Stem Connector*.

SAVE THESE INSTRUCTIONS