

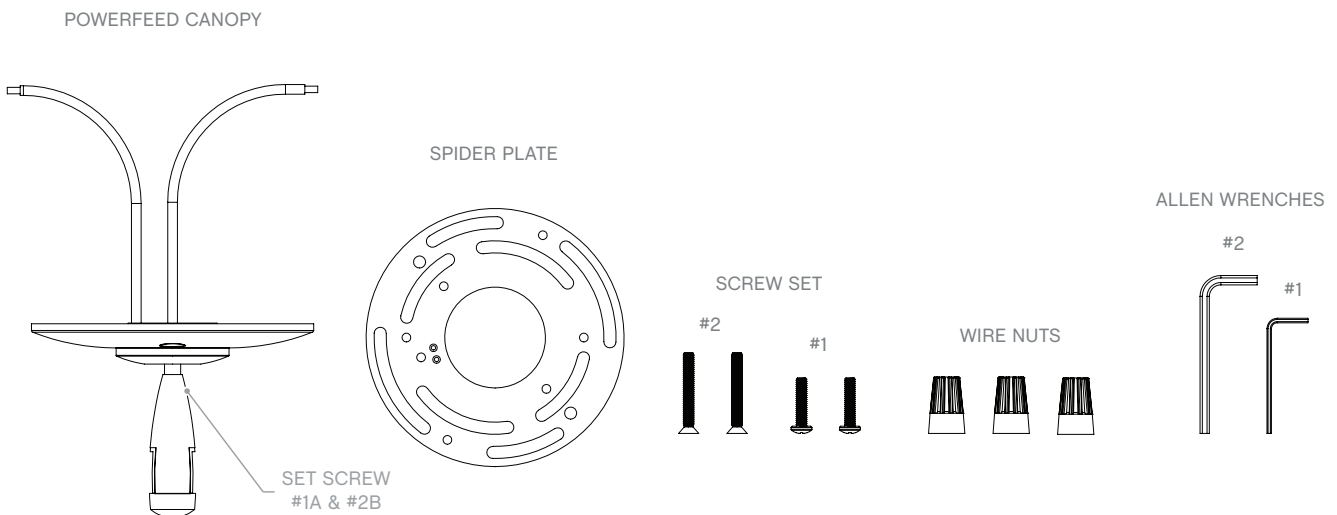


IMPORTANT SAFETY INSTRUCTIONS

- This product suitable for indoor dry locations only.
- This product must be used with the Journée System only
- Always disconnect electrical power before adding or changing the configuration of the track.
- The remote transformer should be installed prior to these steps. Refer to the instructions that are included with the remote transformer.
- **NOTE: USE ONLY THE JOURNÉE SUPPLIED REMOTE TRANSFORMER**
 - Use of any other transformer type will impede proper operation.
- Minimum volume of the electrical box must be 15.5 cubic inches
- **We recommend you hire a qualified, licensed electrician to install the system.**

SAVE THESE INSTRUCTIONS

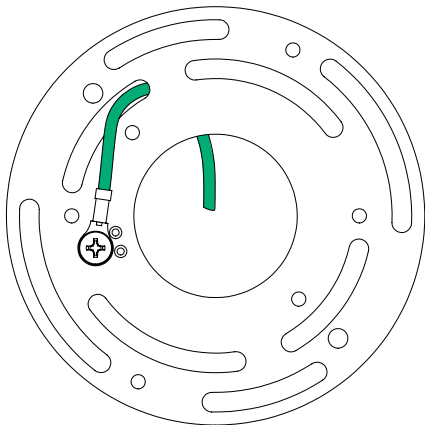
IMPORTANT: This is a Low Voltage system. Powerfeed canopy must be powered by a 24 volt remote transformer. Use only Journée supplied remote transformer.



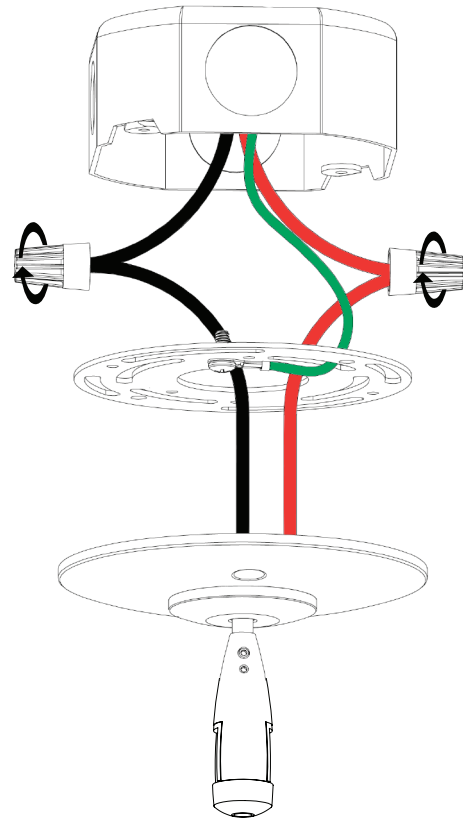


- 1) Snake the green (ground) wire through the spider plate so that the green wire is coming out the opposite side of it's screw.**

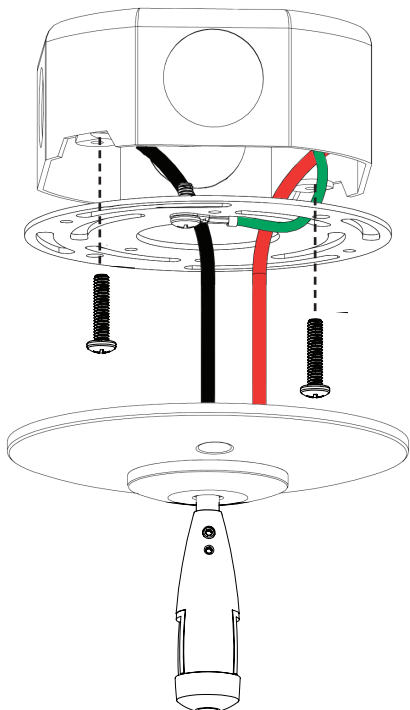
NOTE: If Electrical box is not grounded, be sure to connect the green (ground) wire to a grounded source.



- 2) Pull the red and black wires through the spider plate. Use wire nuts to connect the positive wire (red) to the positive wire from the electrical box and the negative wire (black) to the negative wire from the electrical box then push the wires into the electrical box.**



- 3) Screw the spider plate on to the electrical box using screw set #1.**



SAVE THESE INSTRUCTIONS

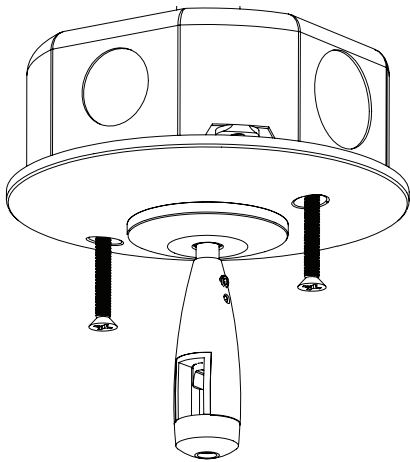
WWW.JOURNEELIGHTING.COM

TELEPHONE 800-886-1880 - FAX 800-886-1881

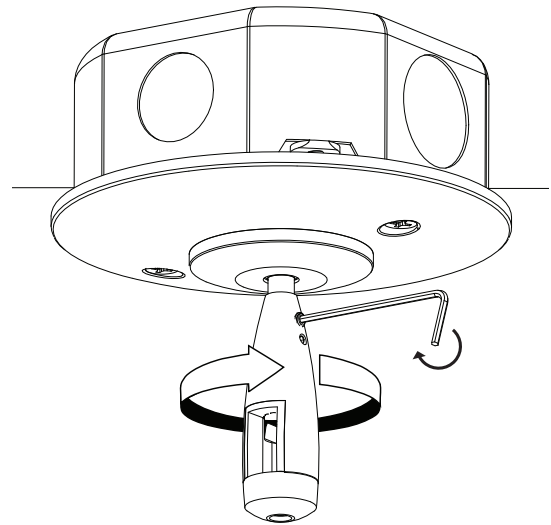
4607 Lakeview Canyon Rd #500 - Westlake Village, CA 91361



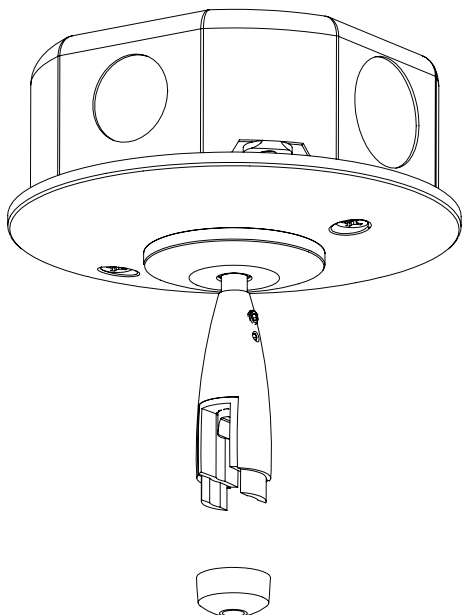
- 4)** Attach Powerfeec Canopy to spider plate using screw set #2.



- 5)** To set Powerfeed Canopy into its proper radial orientation, use allen wrench #1 and loosen set screws #1a and #2b. Once proper clocking is achieved, tighten both set screws.



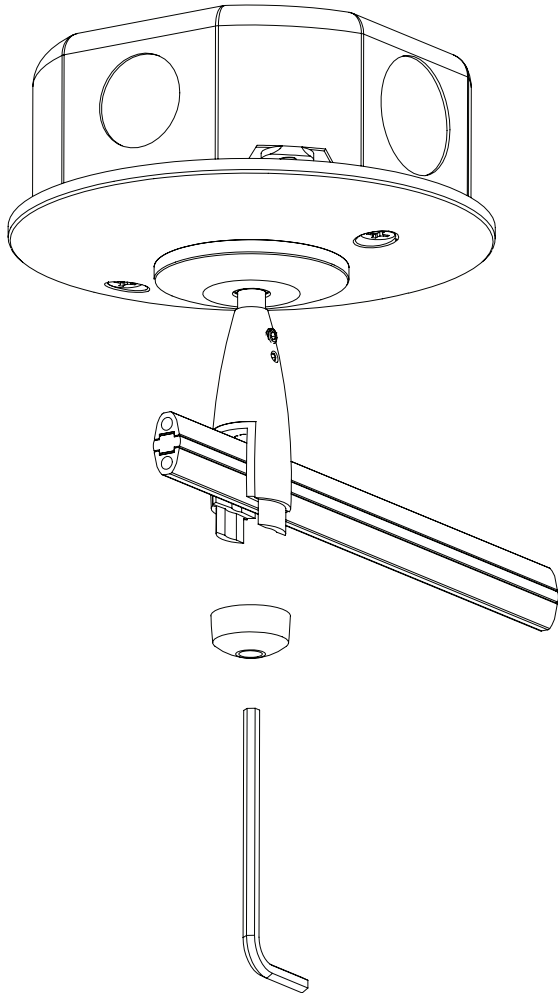
- 6)** Unscrew bottom cap from the housing.



SAVE THESE INSTRUCTIONS



7)



a) Insert the Monorail into the Powerfeed Canopy (as shown in the illustration on the left)

b) Thread bottom cap back onto the housing.

c) Tighten the bottom cap using allen wrench #2. Do Not Overtighten.

SAVE THESE INSTRUCTIONS

WWW.JOURNEELIGHTING.COM

TELEPHONE 800-886-1880 – FAX 800-886-1881

4607 Lakeview Canyon Rd #500 - Westlake Village, CA 91361