

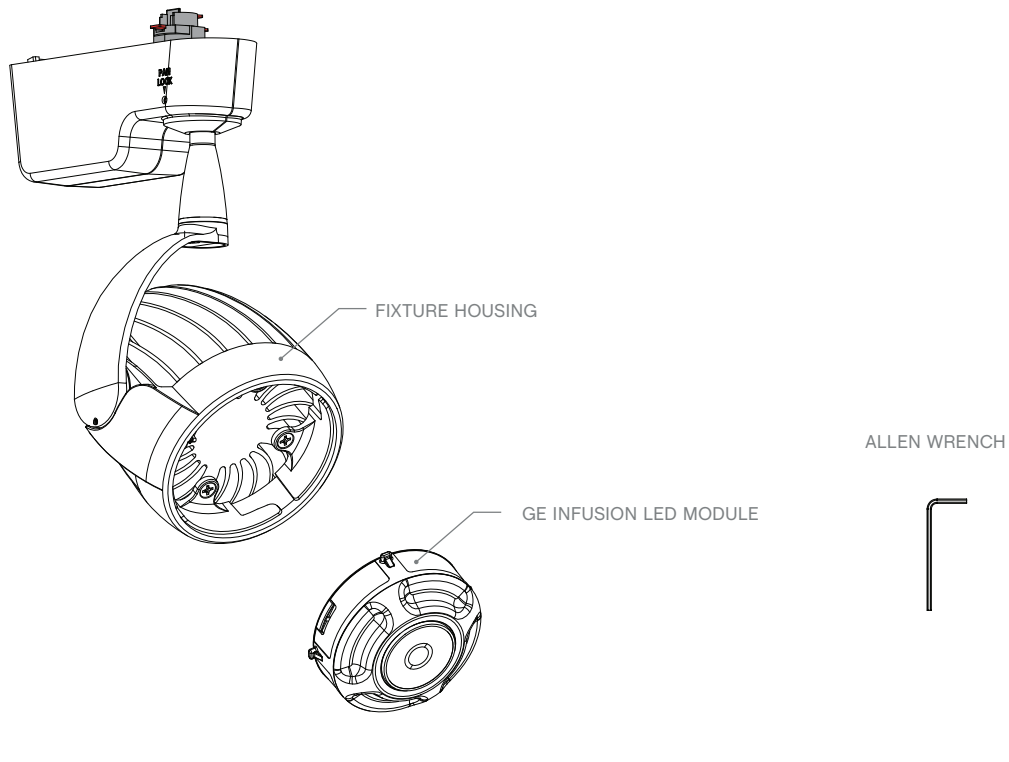
IMPORTANT SAFETY INSTRUCTIONS

When installing or using this track luminaire, basic safety precautions should always be followed, including the following:

1. Read all instructions
2. Do not install any luminaire assembly closer than 6 inches from any curtain or similar combustible material.

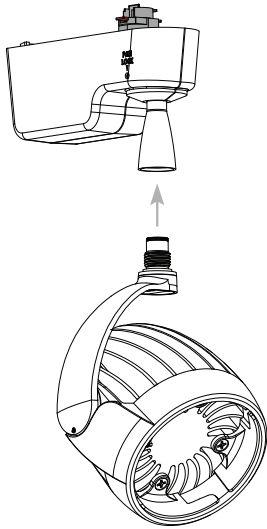
FOR USE WITH TRACK LIGHTING MODEL SERIES GES 2, GET 3, & L-64, L-65 MANUFACTURED BY NORDIC ALUMINUM & COOPER HALO ONLY.

SAVE THESE INSTRUCTIONS

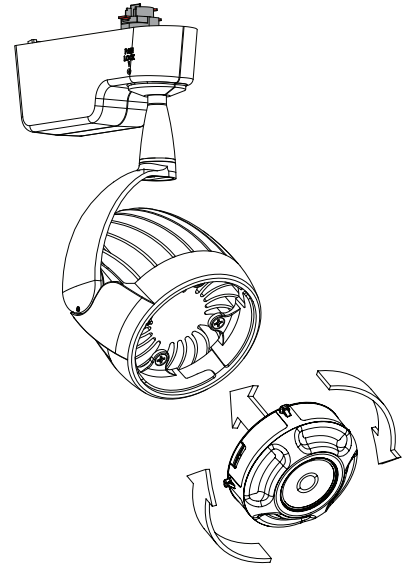




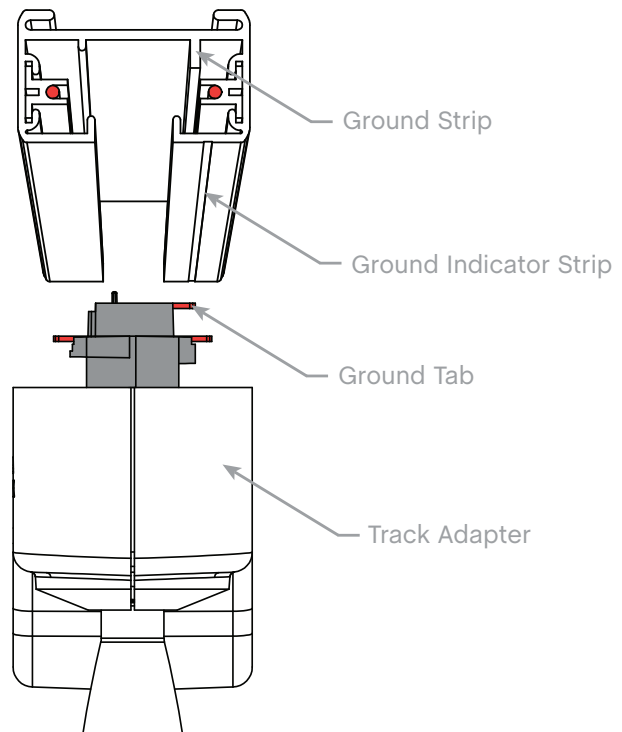
1) Thread the Zinnia onto the Track Adapter.



2) Insert GE Infusion LED Module and twist clockwise.



3) Align the track adapter ground tab with the ground indicator strip on track.



SAVE THESE INSTRUCTIONS

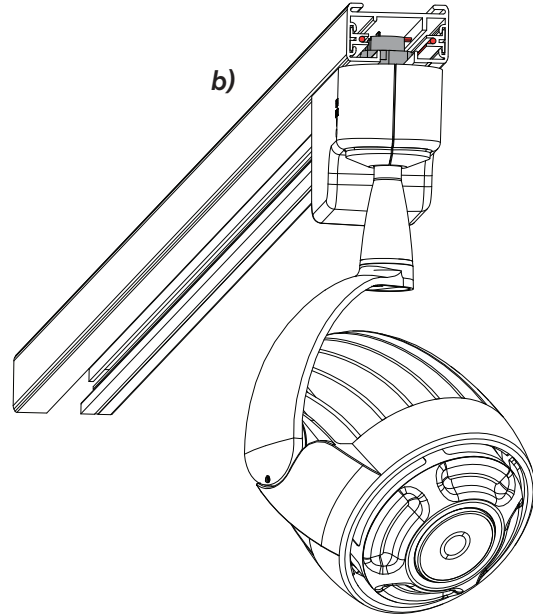
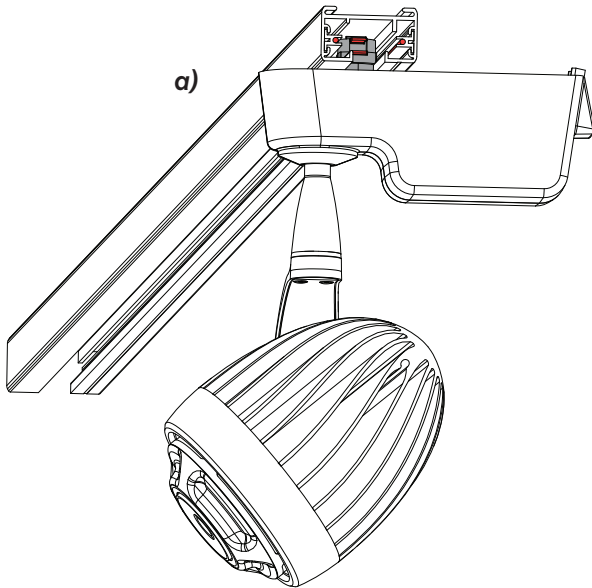
WWW.JOURNEELIGHTING.COM

TELEPHONE 800-886-1880 - FAX 800-886-1881

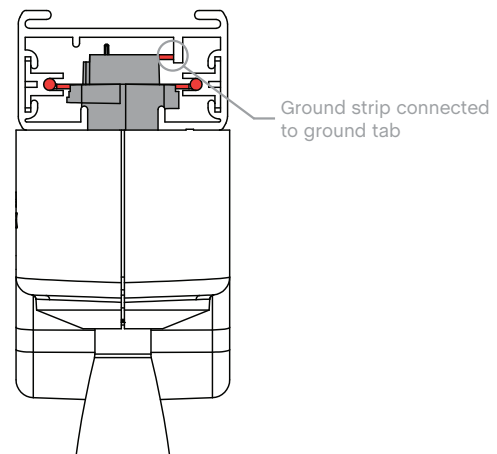
4607 Lakeview Canyon Rd #500 - Westlake Village, CA 91361



4) Twist the track adapter into the track.



Be sure to align the ground tab on the track adapter with the ground tab on the track.



SAVE THESE INSTRUCTIONS

WWW.JOURNEELIGHTING.COM

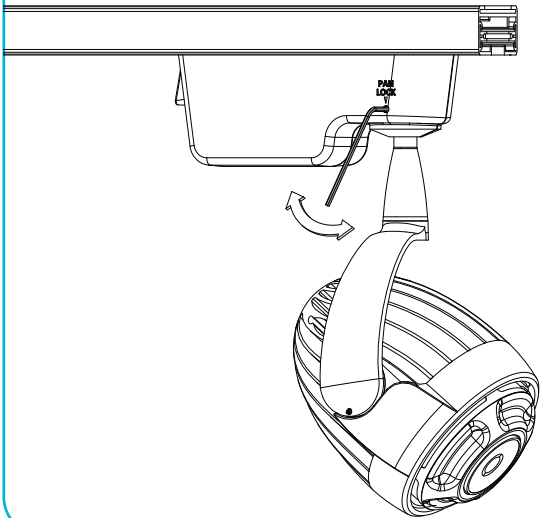
TELEPHONE 800-886-1880 - FAX 800-886-1881

4607 Lakeview Canyon Rd #500 - Westlake Village, CA 91361

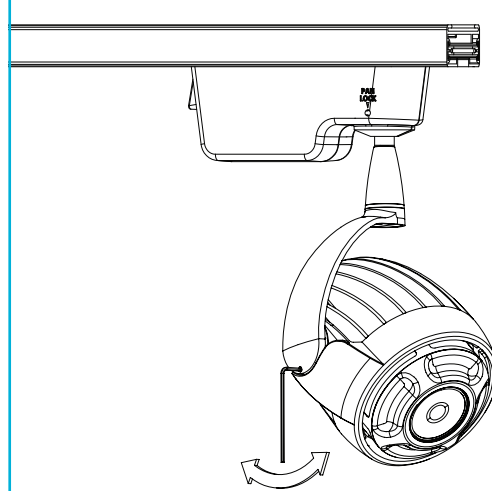


Tilt Lock and Pan Lock Instructions

- 1)** Set Zinnia into its proper horizontal orientation, then use the allen wrench to tighten the pan-lock set screw.



- 2)** Set Zinnia into its proper tilt orientation, then use the allen wrench to tighten the tilt-lock set screw.



SAVE THESE INSTRUCTIONS

WWW.JOURNEELIGHTING.COM

TELEPHONE 800-886-1880 – FAX 800-886-1881

4607 Lakeview Canyon Rd #500 - Westlake Village, CA 91361