



# TRANSFORMERS

Spec Sheet  
24-Volt AC



24-Volt AC Magnetic Transformer  
For use with Journée Monorail System

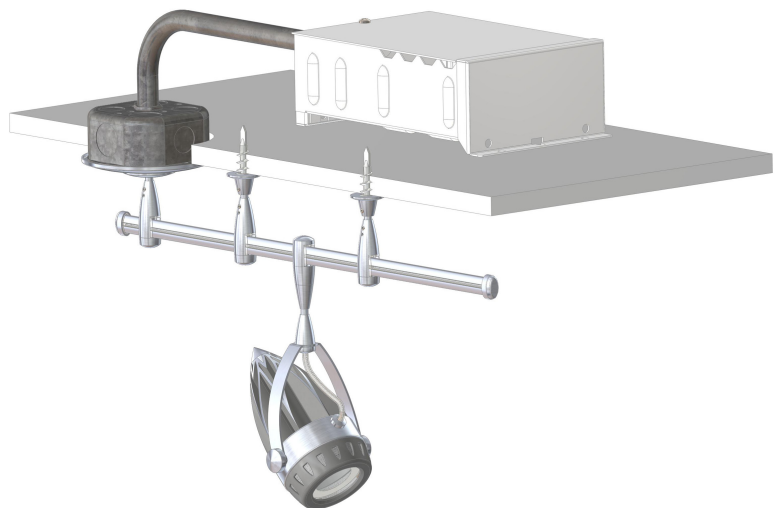
Multiple Output Wattages  
50 watt  
100 watt  
150 watt

Multiple Input Voltages  
110/120 VAC  
230/240 VAC  
277 VAC

Dimming  
Works with a wide variety of approved  
wall dimmers and digital dimming systems

Safety Features  
UL-Certified  
Short circuit and overload protection

## SYSTEM OVERVIEW



## CERTIFICATION

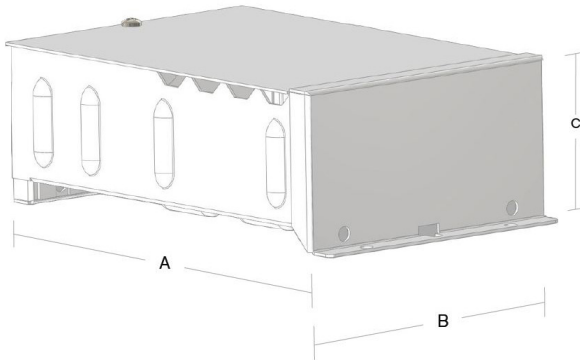


Journée®



# TRANSFORMERS

Spec Sheet  
24-Volt AC



### TRANSFORMER DIMENSIONS

(all wattages have same case size)

A - 8.75"    B - 5.75"    C - 3"

### WEIGHT

50-watt Transformer: 6.7 lbs. / 3.03 kg

100-watt Transformer: 7.5 lbs. / 3.40 kg

150-watt Transformer: 8.0 lbs. / 3.63 kg

### DESCRIPTION

Journée's remote transformers convert standard line-voltage down to 24 volts AC, providing safe low-voltage AC power to Journée's Monorail. This transformer is equipped with short circuit and overload protection that will safely turn off the system should a short occur.

### INSTALLATION RECOMMENDATIONS

Transformer must be installed in a remote but accessible location (i.e., above the ceiling or in a utility closet).

### DIMMING

If using a wall dimmer or digital dimming system, do not exceed the maximum number of luminaires defined in the Dimming Applications chart (left).

### NON-DIMMING

If connecting transformer directly to a switch (no dimmer), do not exceed the maximum number of luminaires defined in the Non-Dimming Applications chart (below).

### DIMMING APPLICATIONS

#### MAXIMUM LUMINAIRES PER TRANSFORMER

50-watt Transformer  
TRN-MG-AC-\*\*\*-050  
4 Luminaires Max



100-watt Transformer  
TRN-MG-AC-\*\*\*-100  
6 Luminaires Max



150-watt Transformer  
TRN-MG-AC-\*\*\*-150  
8 Luminaires Max



If using three or fewer Journée Lighting fixtures, a Lutron synthetic load box (LUT-LBX) must be installed between the dimmer and the transformer.



### NON-DIMMING APPLICATIONS

#### MAXIMUM LUMINAIRES PER TRANSFORMER

50-watt Transformer  
TRN-MG-AC-\*\*\*-050  
5 Luminaires Max



100-watt Transformer  
TRN-MG-AC-\*\*\*-100  
10 Luminaires Max



150-watt Transformer  
TRN-MG-AC-\*\*\*-150  
15 Luminaires Max



### TRANSFORMER ORDERING INFORMATION

TRN	MG	AC	VOLTAGE	MAX WATTAGE
			120 - 110V/120V	050 - 50 watt
			230 - 230V/240V	100 - 100 watt
			277 - 277V	150 - 150 watt

TRN	MG	AC	VOLTAGE	MAX WATTAGE
ORDERING CODE				