

ZINNIA 400i

Spec Sheet 10 Watt LED Luminaire

SHOWN WITH OPTIONAL BEZEL ACCESSORY (SOLD SEPARATELY)



Lamp Life
50,000 Hours

Beam Angle Options
15° / 25° / 36°

Color Rendering Index
80 CRI

Dimming
Works with a wide variety of approved
wall dimmers and digital dimming systems

Finish
White or Black Powder coat

H-Track Compatibility
Compatible with any standard
line-voltage H-Track

SHOWN WITHOUT OPTIONAL BEZEL

FIELD-REPLACEABLE LED MODULE

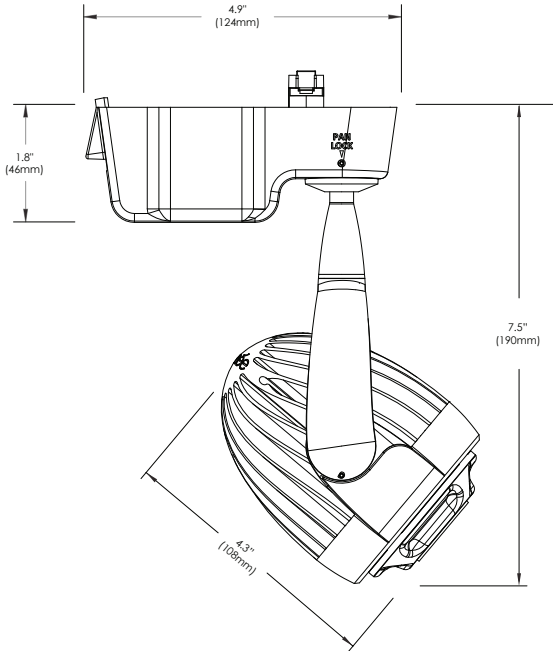


Journé



ZINNIA 400i

Spec Sheet
10 Watt LED Luminaire



DESCRIPTION

The next generation of lighting is here. Introducing the ZINNIA 400i, a sleek high-tech LED luminaire designed to not only appeal to the eye, but also perform as a heat sink, resulting in longer lamp life and higher efficiencies.

SYSTEM COMPATIBILITY

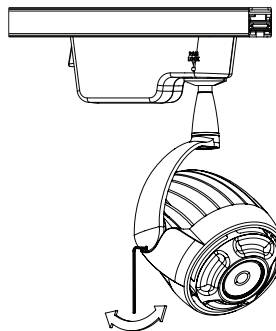
The ZINNIA 400i Luminaire is compatible with standard line-voltage H-Track (Single Circuit and Dual Circuit).

LAMP (Sold Separately)

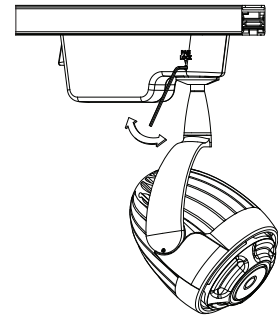
GE Infusion™ LED Module - Field Replaceable/Upgradable
(Use with GE Infusion M10W07D series)

TILT & PAN LOCK FEATURES

The Zinnia 400i has both tilt lock and pan lock features, which allows the end user to lock the positioning of the fixture.



TILT LOCK



PAN LOCK

ZINNIA PATENTS
U.S. PAT. NO. D633,428
AUSTRALIAN PAT. NO. 333962
EU REGISTERED COMMUNITY DESIGN PAT. NO. 001244198-0001
OTHER U.S. AND FOREIGN PATENTS PENDING



ZINNIA 400i ORDERING INFORMATION

ZIN	HI	40	HT	COLOR
				WH - White
				BK - Black

OPTIONAL BEZEL ACCESSORY ORDERING INFORMATION

ACC	ZIN	40	ST	COLOR
				WH - White
				BK - Black

ZIN	HI	40	HT	COLOR
ZINNIA 400i ORDERING CODE				

ACC	ZIN	40	ST	COLOR
BEZEL ORDERING CODE				

www.Journeelighting.com

TEL: 800-886-1880 FAX: 800-886-1881

4607 Lakeview Canyon Rd #500 - Westlake Village, CA 91361