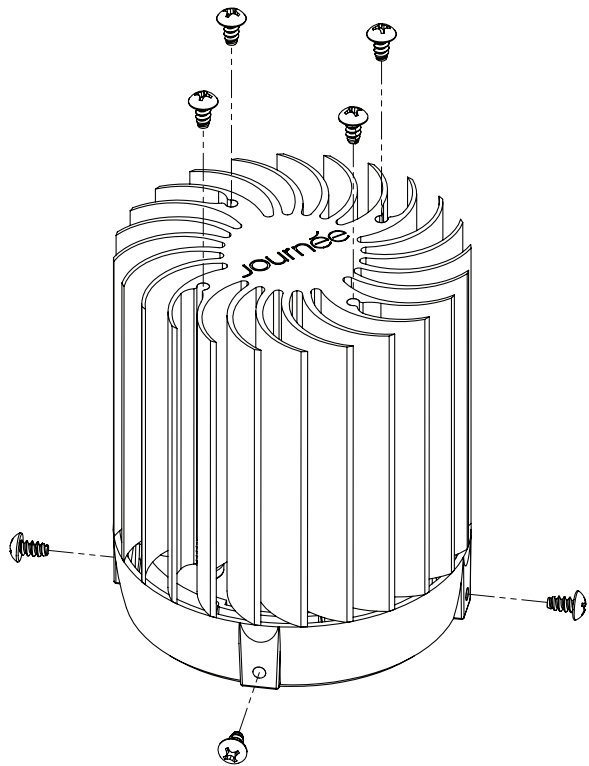
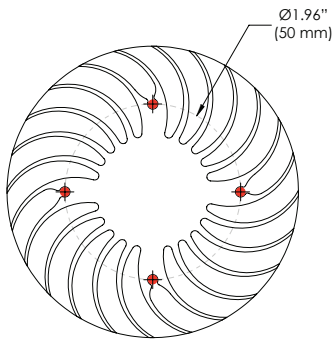


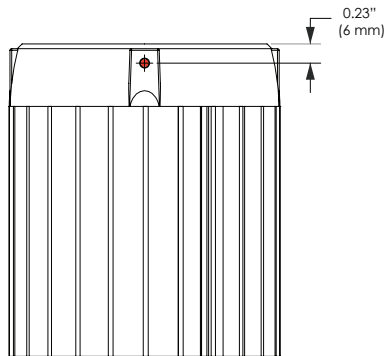
Use thread-forming 6-20 screws with type B thread.



MOUNTING OPTIONS



4-way bolt pattern on bottom side of heatsink



4-way bolt pattern around outer rim of socket