

VersaCool™ Heatsink For Use With



Mounting Options

- 4-way bolt pattern around outer rim of socket
- 4-way bolt pattern on bottom side of heat sink

Color Options

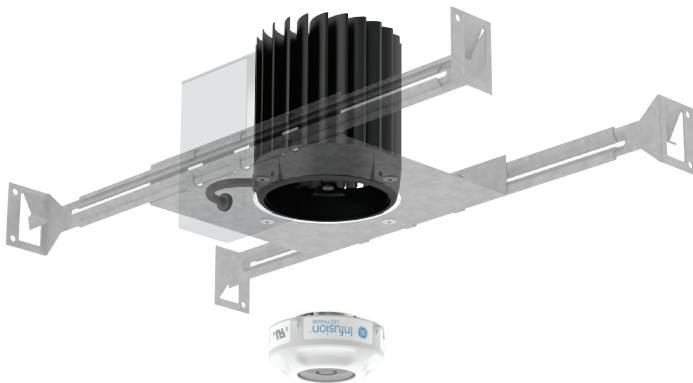
- Powder coat white
- Powder coat black

Heat-sinking Surface Area

- 3" Model = 208 square inches
- 4" Model = 265 square inches
- 5" Model = 324 square inches
- 6" Model = 384 square inches

SHOWN WITHOUT GE INFUSION™ LED MODULE INSTALLED

DOWNLIGHT LUMINAIRE EXAMPLE

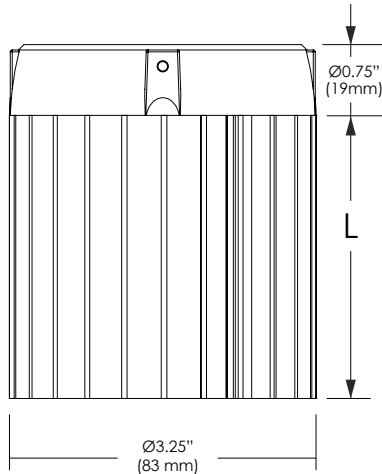


Multiple U.S. And Foreign Patents Pending



Spec Sheet

GE Infusion™ OEM Heatsink



DESCRIPTION

Journée's VersaCool™ heatsink provides a turnkey solution for lighting fixture manufacturers looking to integrate the GE Infusion™ LED Module into their lighting fixtures. The patent-pending VersaCool™ heatsink acts as a socket for the GE Infusion™ Module and as a highly efficient passive heatsink.

MOUNTING OPTIONS

4-way bolt pattern around outer rim of socket
 4-way bolt pattern on bottom side of heatsink

COLOR OPTIONS

Powder coat white
 Powder coat black

HEAT-SINKING SURFACE AREA

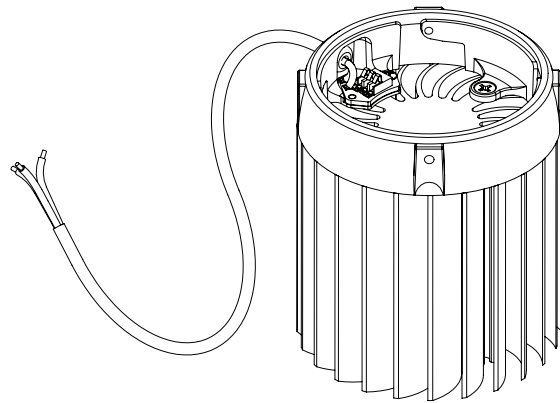
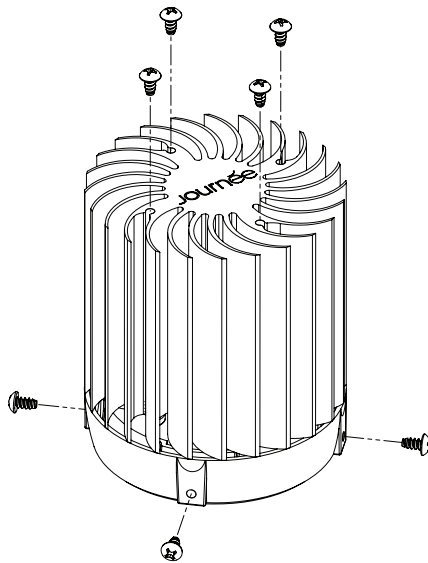
3" Model = 208 square inches
 4" Model = 265 square inches
 5" Model = 324 square inches
 6" Model = 384 square inches

AVAILABLE LENGTHS (L)

3" (76 mm)
 4" (102 mm)
 5" (127 mm)
 6" (152 mm)

Mounting Options (use thread-forming 6-20 screws with type B thread)

Includes 12" long lead wires (pre-stripped)



VERSACOOL ORDERING INFORMATION

VRC	DIAMETER	LENGTH	WIRE LENGTH	COLOR
	325 - 3.25"	300 - 3.00"	120 - 12"	WH - WHITE
		400 - 4.00"		BK - BLACK
		500 - 5.00"		
		600 - 6.00"		

VRC	325	120	COLOR
	LENGTH		
ORDERING CODE			